

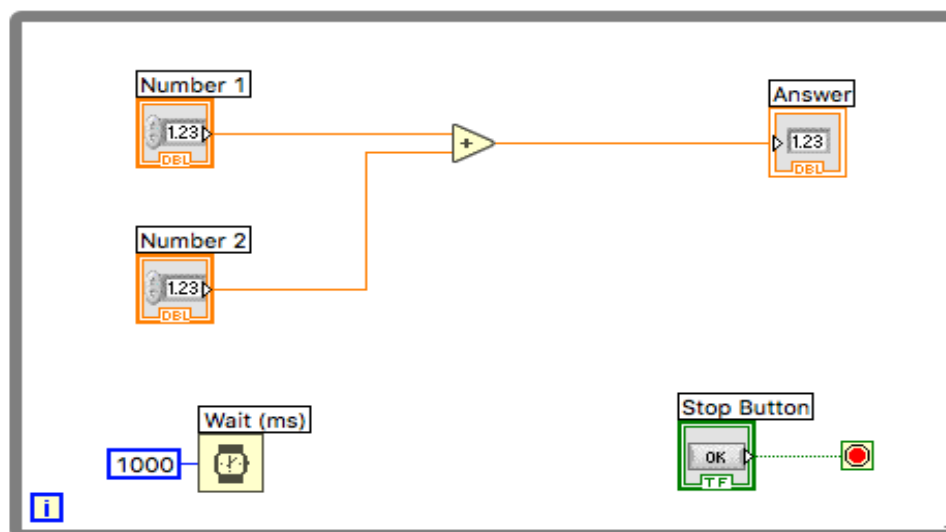
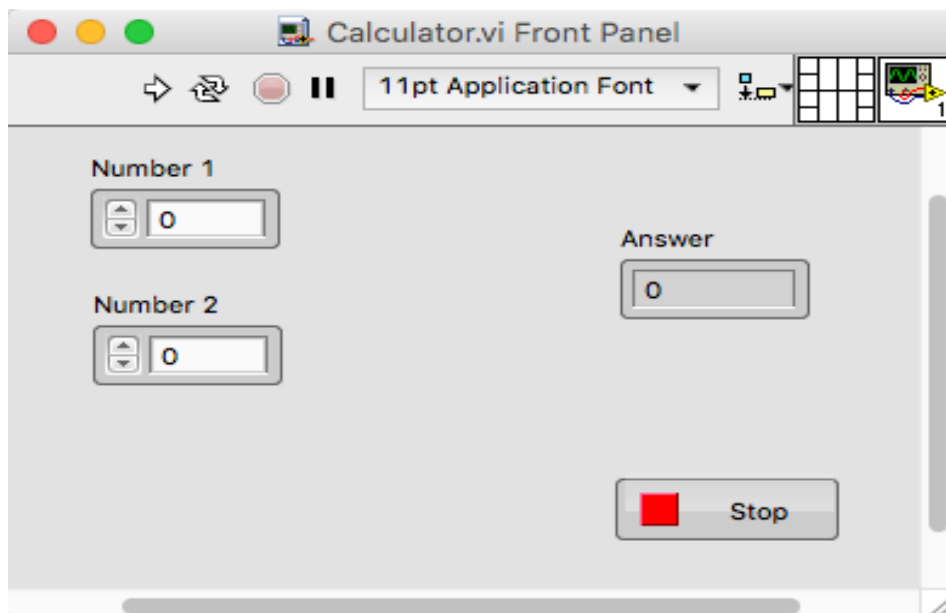
LabVIEW Exercises

LabVIEW While Loops

Loops allow you to repeatedly execute a specific portion of code. The different Loops and Structures available are located in the Structures sub palette in the Functions palette on the Block Diagram. The most important loops are For Loops and While Loop.

Task: Calculator

Create the following Calculator:



Then try with “Minus”, “Multiply” and “Divide”.